



SENCO FUSION Cordless Framing Nailer F-35FRHXP Instruction Manual

[Home](#) » [SENCO](#) » **SENCO FUSION Cordless Framing Nailer F-35FRHXP Instruction Manual** 

*SENCO FUSION Cordless Framing Nailer
F-35FRHXP Instruction Manual*

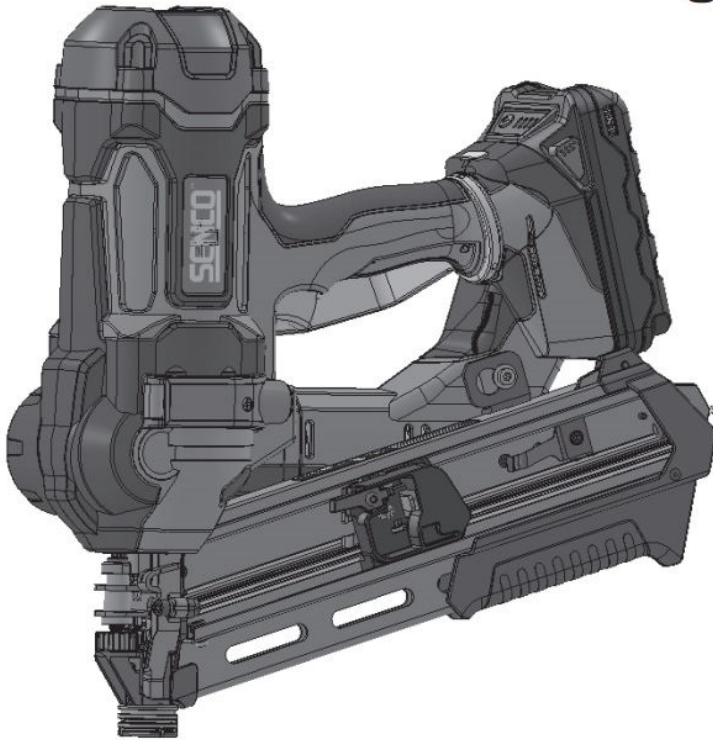


FUSIONTM
TECHNOLOGY

F-35FRHXP

Cordless Framing Nailer

Parts Reference Guide



Schematic Drawings Inside



DANGER: The Fusion tool is charged with compressed air in a sealed chamber. Prior to any service or repair, release the charge of pressurized air. The pressurized air must be released prior to service. Major components such as the piston/driver assembly, gearbox, piston stop and guide body are all part of the drive assembly. Deliberate tampering with the drive assembly may result in the release of the driver. Any repair or upgrade requiring access to the pressure chamber may be handled by an authorized Senco dealer or service center.

NFD010H · January 7, 2021 (Replaces 9/14/20)



KYOCERA SENCO Industrial Tools 4270 Ivy Pointe Blvd.
Cincinnati, OH 45245 1-800-543-4596

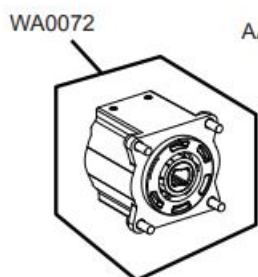
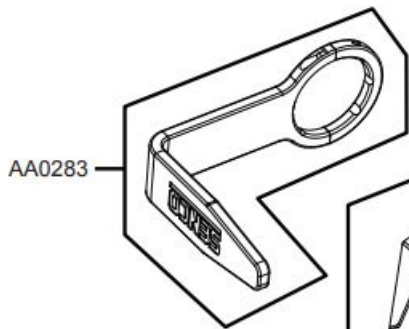
www.senco.com

Questions? Comments? call SENCO's toll-free Action-Line: 1-800-543-4596 (North and South America Only) or email: toolprof@senco.com

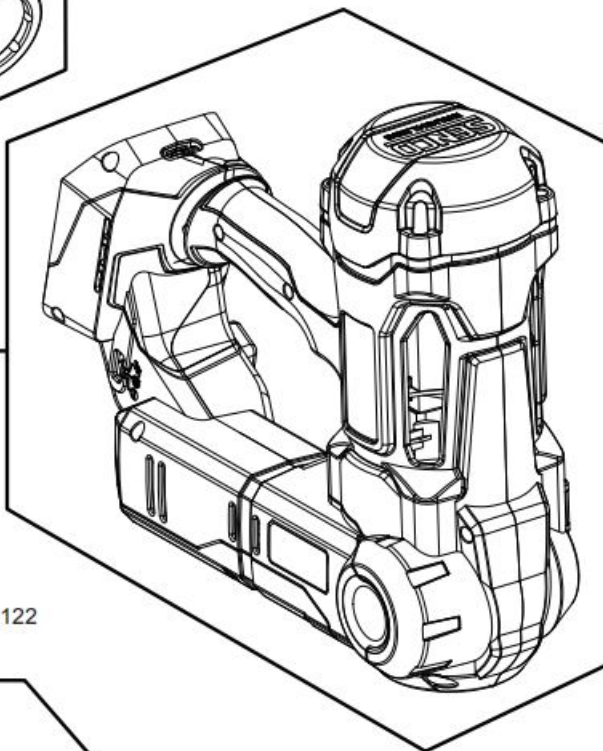
Contents

- 1 MAJOR ASSEMBLIES**
- 2 BODY ASSEMBLY**
- 3 MECHANICAL ASSEMBLY**
- 4 FA0367 CHASSIS ASSEMBLY**
- 5 FEED SYSTEM**
- 6 GA0778 EXTENDED FEED SYSTEM (OPTIONAL)**
- 7 FRONT PLATE ASSEMBLY**
- 8 FILL ASSEMBLY**
- 9 HANGER ASSEMBLY**
- 10 GEARBOX ASSEMBLY**
- 11 PISTON AND DRIVER ASSEMBLY**
- 12 ELECTRICAL ASSEMBLY**
- 13 Solenoid Assembly**
- 14 TRIGGER ASSEMBLY**
- 15 Documents / Resources**
 - 15.1 References**
- 16 Related Posts**

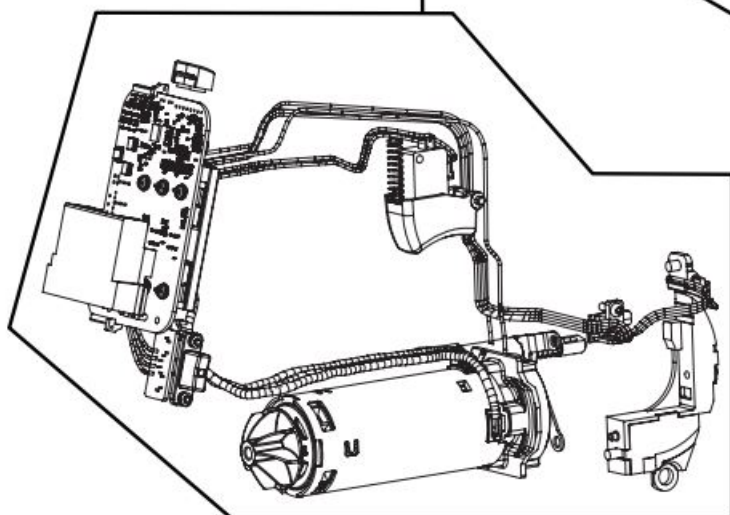
MAJOR ASSEMBLIES



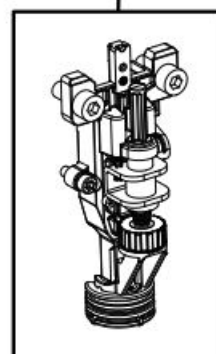
AA0287

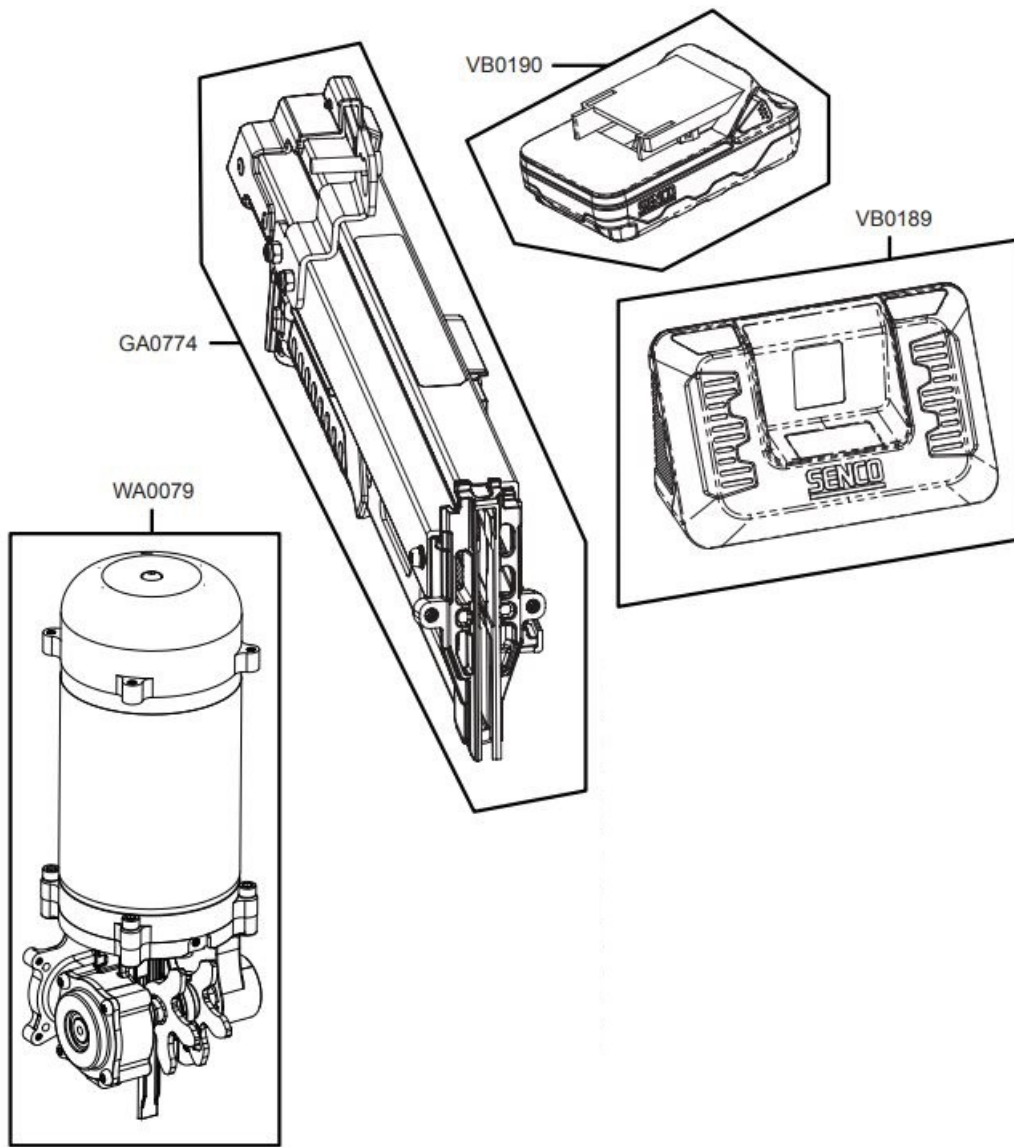


VA0122



FA0366

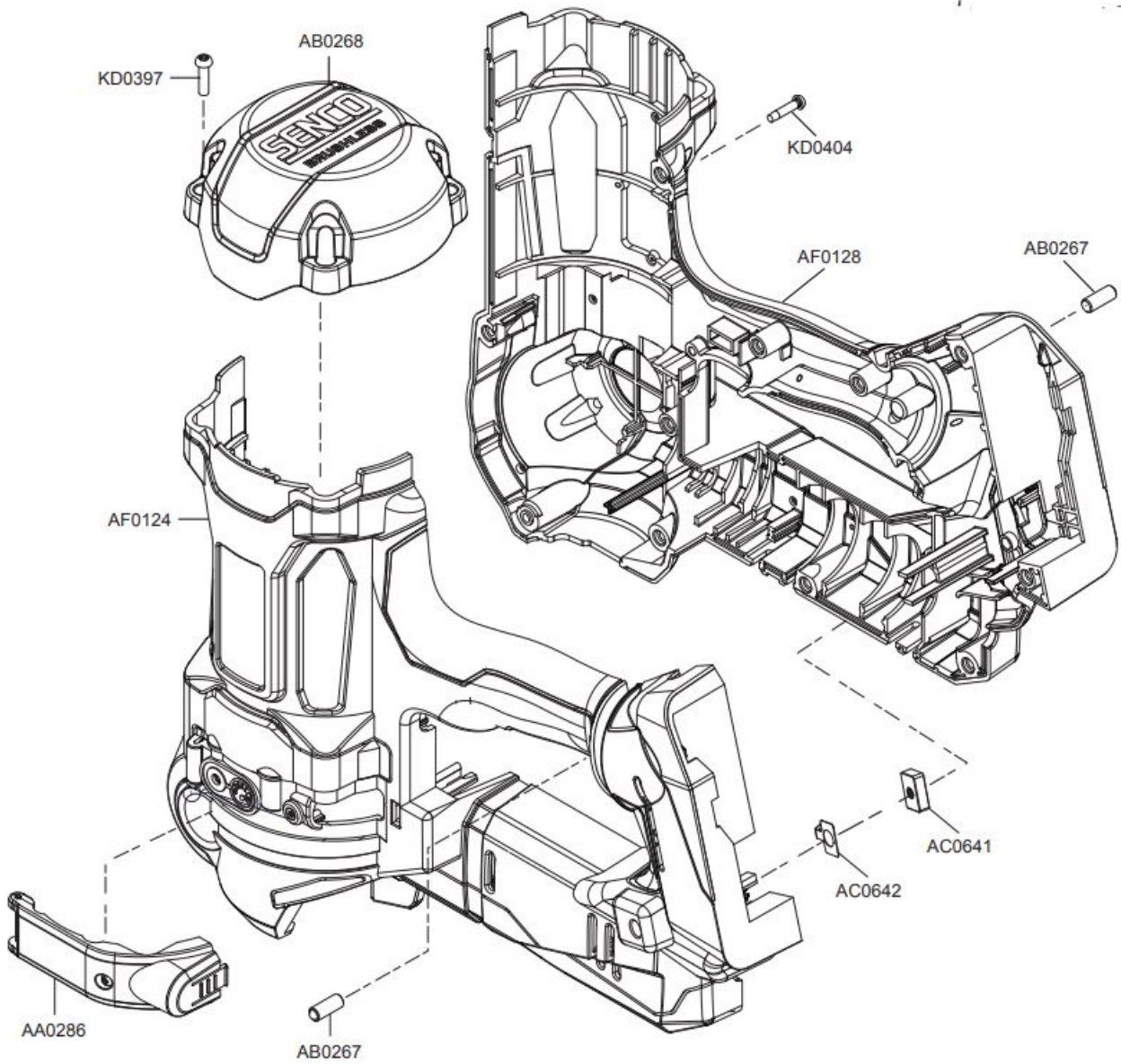




PART NO.	DESCRIPTION
VB0189	Charger
VB0190	Battery

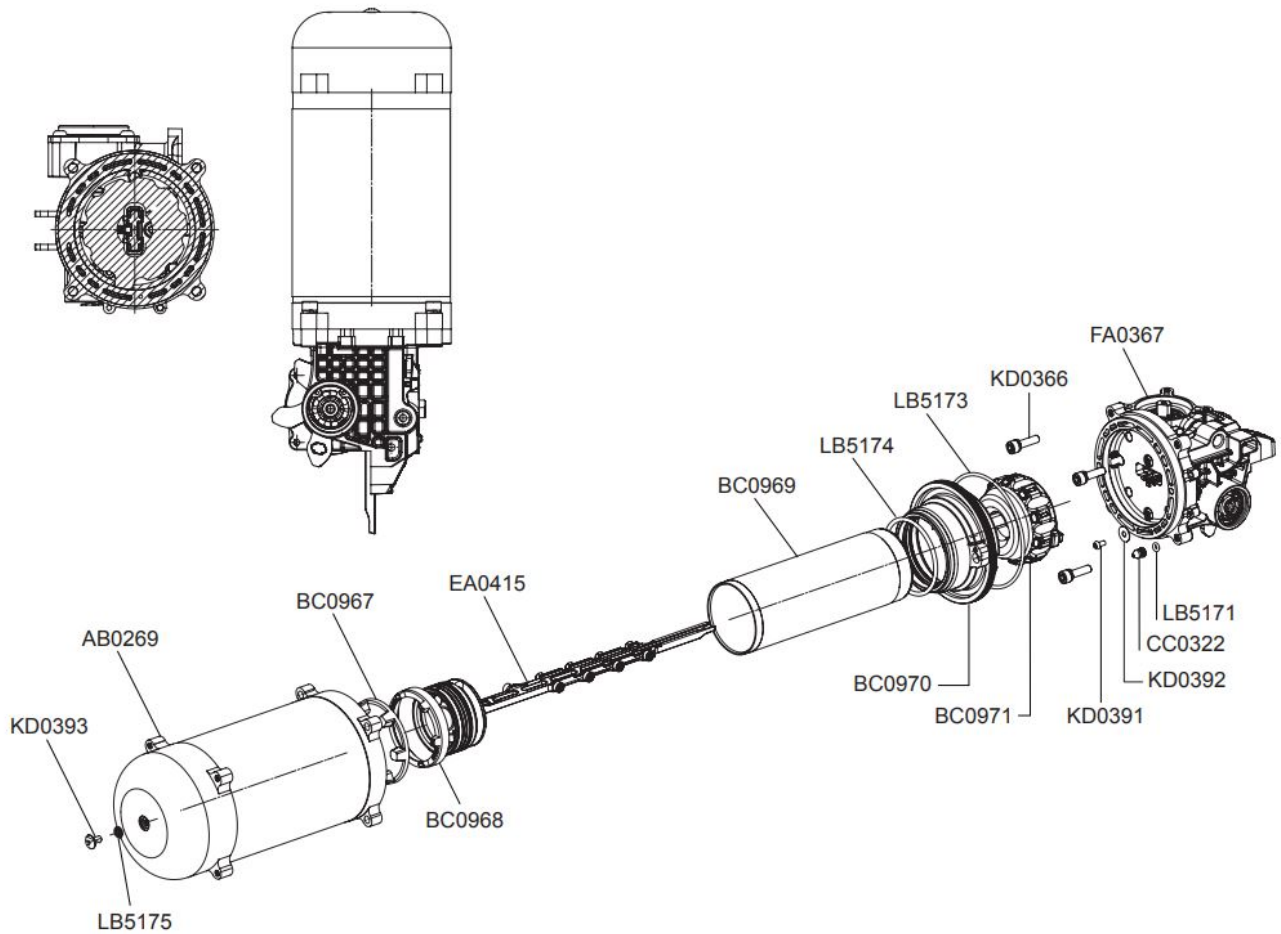
PART NO.	DESCRIPTION
AA0283	Rafter Hanger Assembly
AA0287	Body Assembly
FA0366	Front Plate Assembly
GA0774	Feed System
VA0122	Electrical Assembly
WA0072	Gearbox Assembly
WA0079	Mechanical Assembly

BODY ASSEMBLY



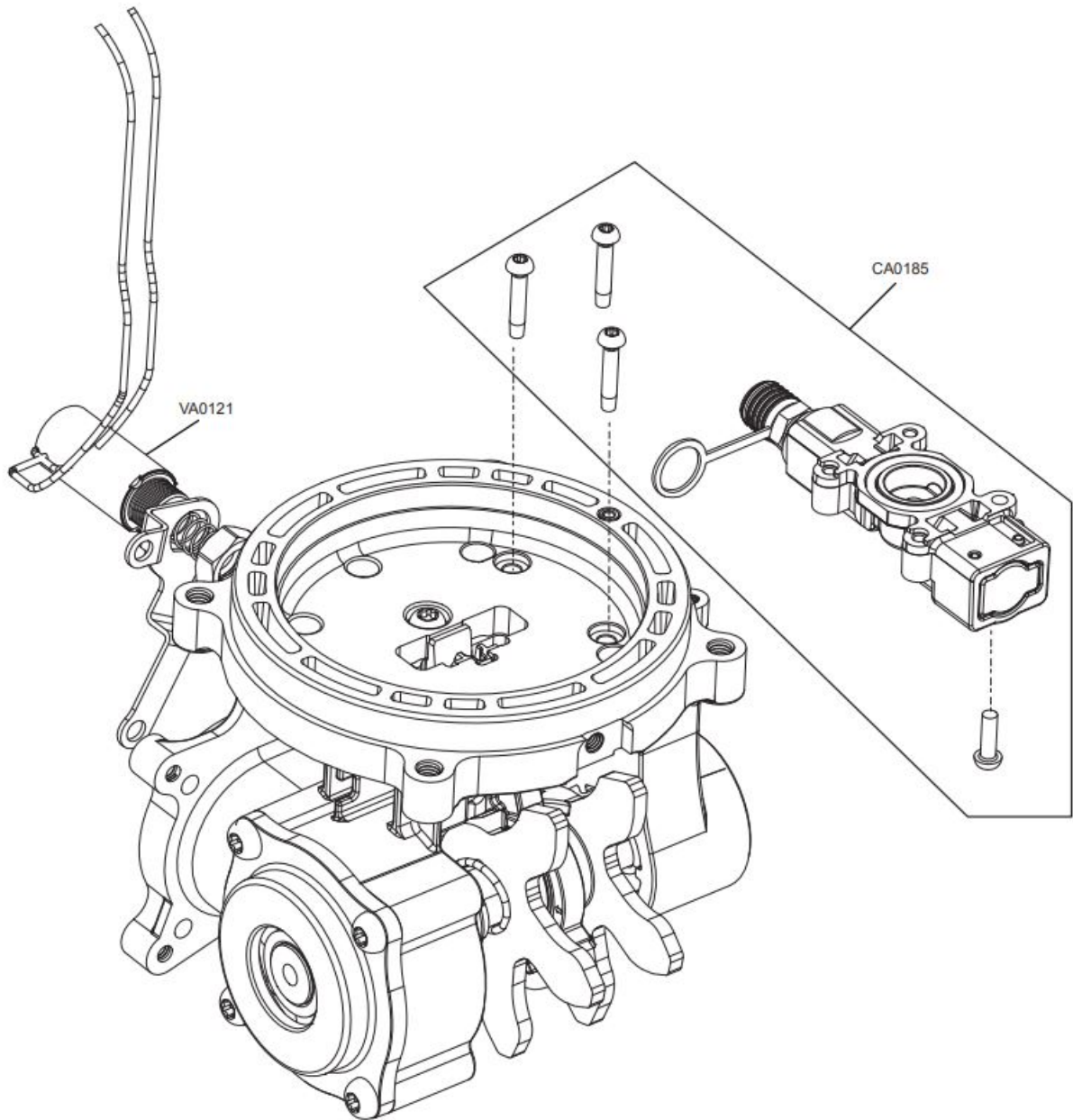
PART NO.	DESCRIPTION
AA0286	Door Assembly
AB0268	Cap
AB0267	Detent, Rafter Hanger
AC0641	Adapter, Nut
AC0642	Retainer, Nut
AF0124	Left Body Assembly
AF0128	Right Body Assembly
KD0397	Screw
KD0404	Screw

MECHANICAL ASSEMBLY



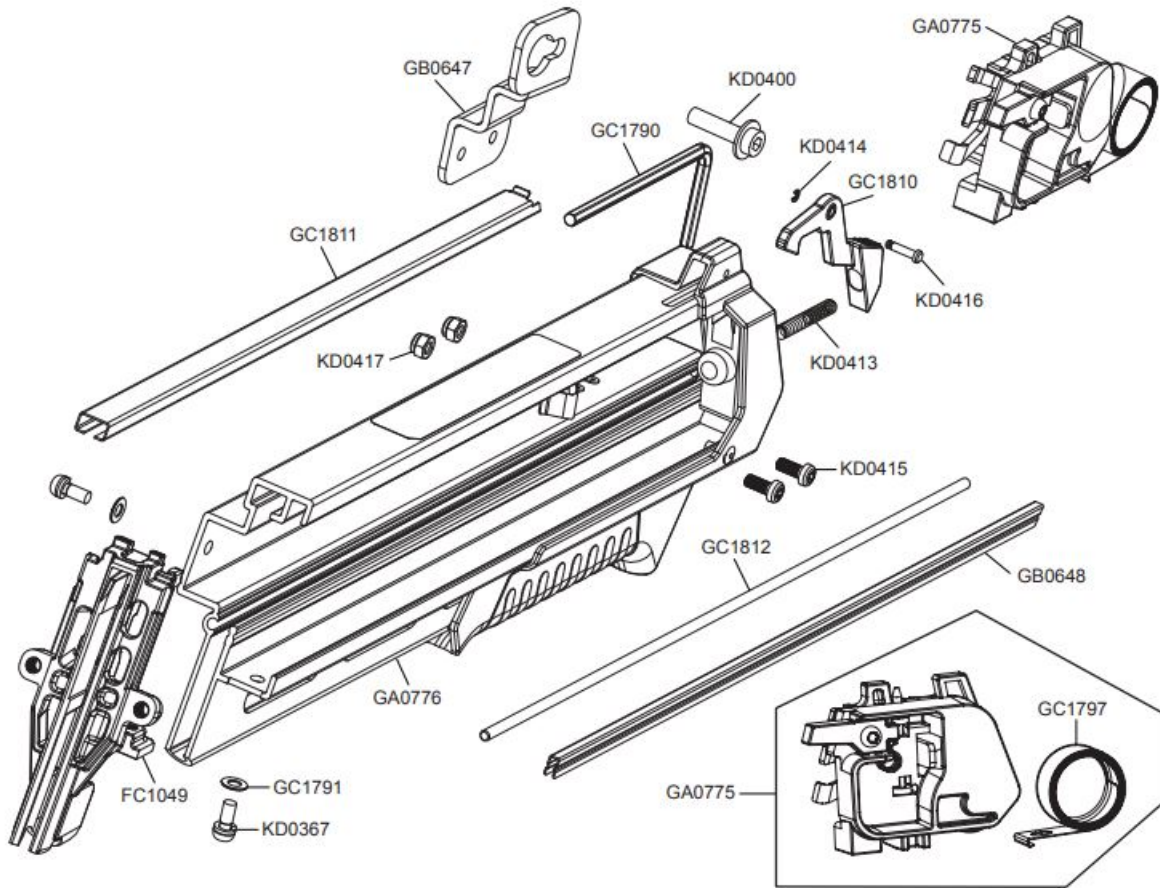
PART NO.	DESCRIPTION
AB0269	Pressure Vessel
BC0967	Retainer, Upper
BC0968	Retainer, Lower
BC0969	Sleeve
BC0970	Sleeve Retainer
BC0971	Piston Stop
CC0322	Plug
EA0415	Driver Assembly
FA0367	Chassis-Assembly
KD0366	Screw
KD0391	Screw
KD0392	Washer
KD0393	Screw
LB5171	Seal
LB5173	O-Ring
LB5174	O-Ring
LB5175	Seal

FA0367 CHASSIS ASSEMBLY



PART NO.	DESCRIPTION
CA0185	Fill Assembly
VA0121	Solenoid

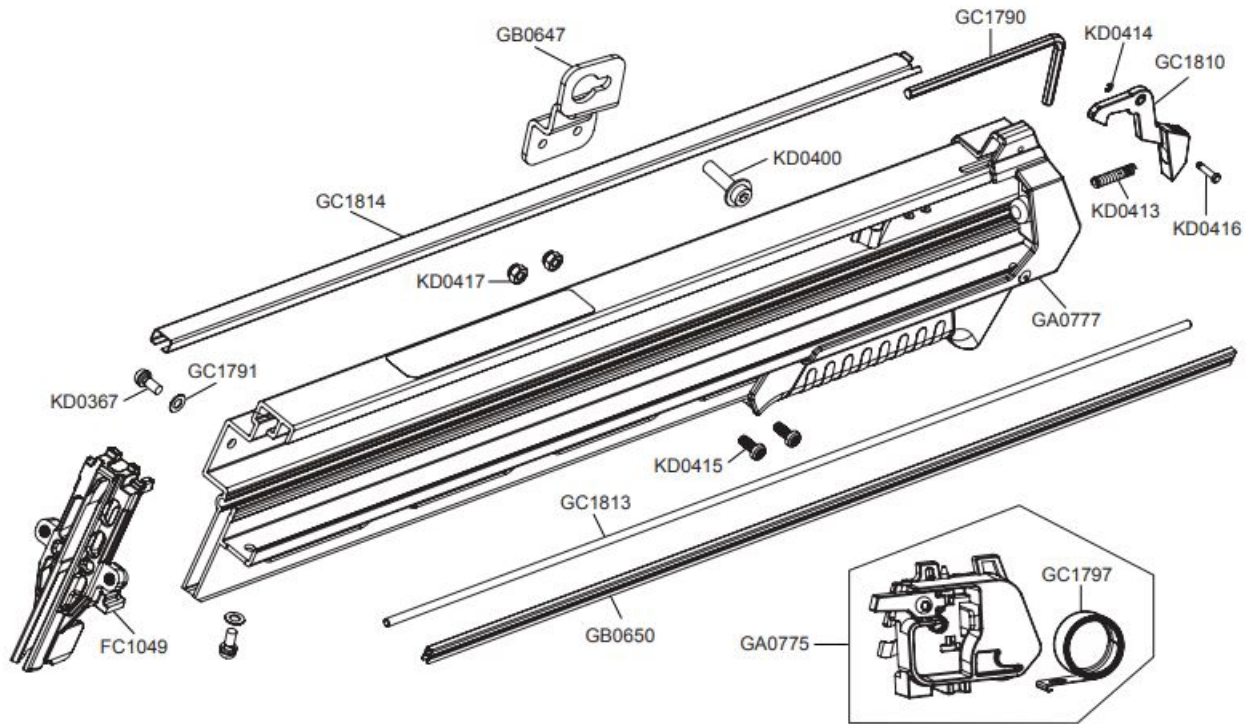
FEED SYSTEM



PART NO.	DESCRIPTION
FC1049	Backplate
GA0775	Carriage Assembly
GA0776	Magazine Sub-Assembly
GB0647	Bracket
GB0648	Wear Rail
GC1790	Hex Wrench
GC1791	Washer
GC1810	Latch
GC1811	C-Tube
GC1812	Wear Insert
KD0367	Screw
KD0400	Screw
KD0413	Spring
KD0414	Ring (Retaining)
KD0415	Screw
KD0416	Pin
KD0417	Nut

PART NO.	DESCRIPTION
GA0775	Carriage Assembly
GC1797	Feed Spring

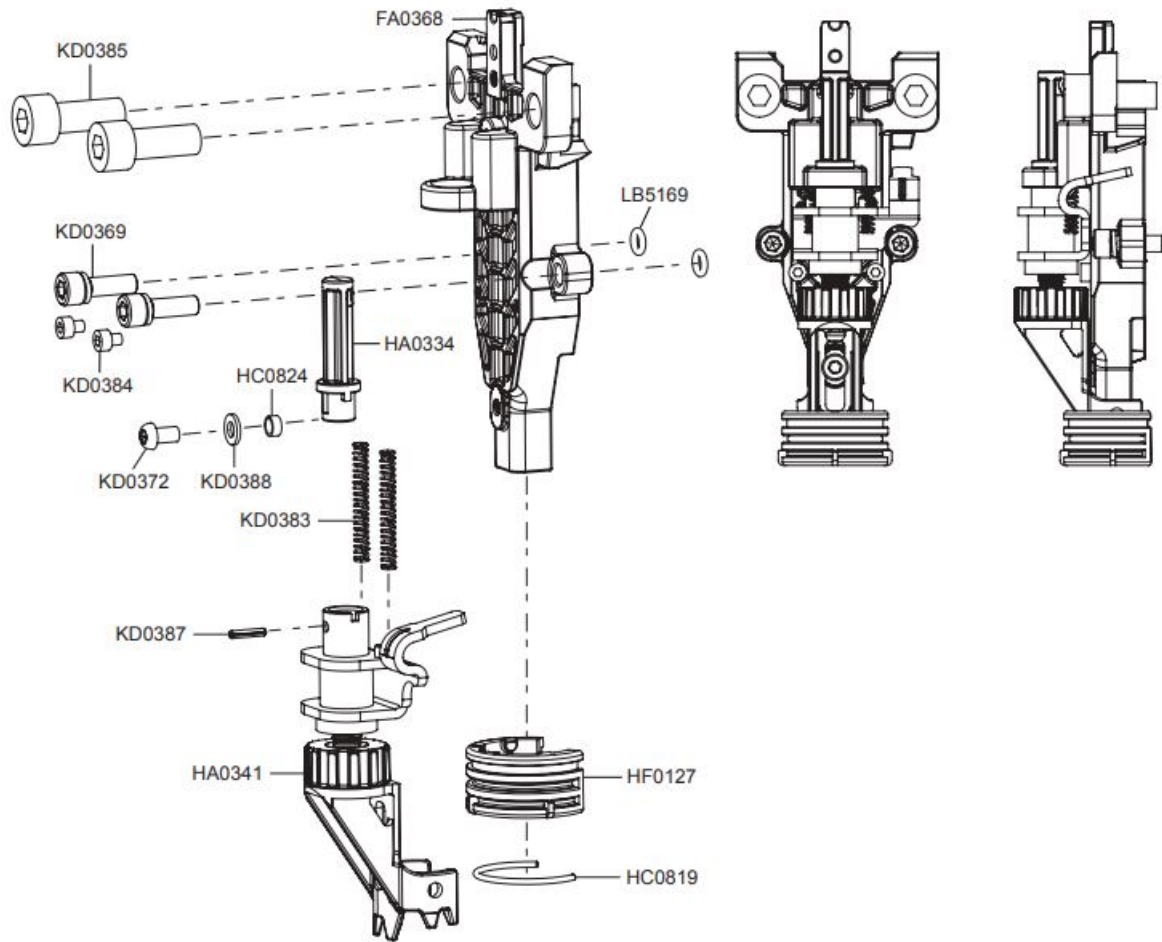
GA0778 EXTENDED FEED SYSTEM (OPTIONAL)



PART NO.	DESCRIPTION
FC1049	Backplate
GA0775	Carriage Assembly
GA0777	Magazine Sub-Assembly
GB0647	Bracket
GB0650	Wear Rail
GC1810	Latch
GC1813	Wear Insert
GC1814	C-Tube
GC1790	Hex Wrench
GC1791	Washer
KD0413	Spring
KD0414	Ring (Retaining)
KD0416	Pin
KD0417	Nut
KD0415	Screw
KD0367	Screw
KD0400	Screw

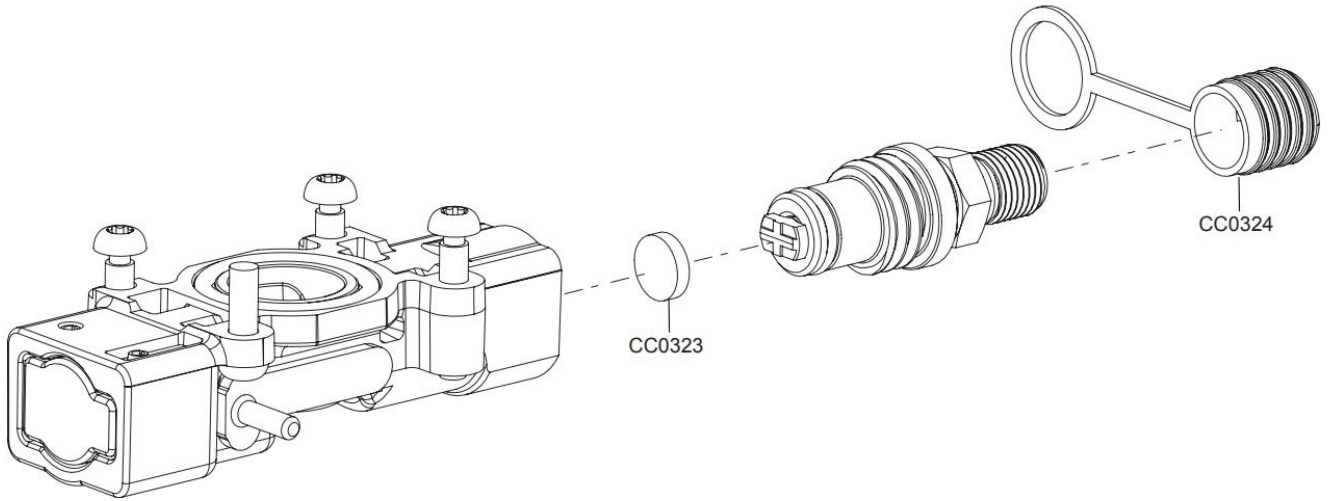
PART NO.	DESCRIPTION
GA0775	Carriage Assembly
GC1797	Feed Spring

FRONT PLATE ASSEMBLY



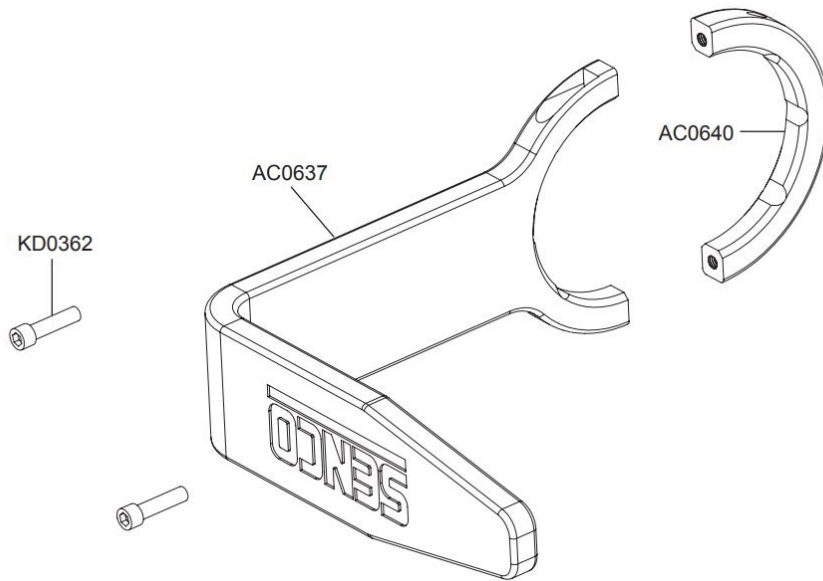
PART NO.	DESCRIPTION
FA0368	Front Plate
HA0334	Extension Assembly
HA0341	Adjustable Safety
HC0819	Clip
HC0824	Standoff Tube
HF0127	Boot
KD0369	Screw, and Lockwasher
KD0372	Screw
KD0383	Spring
KD0384	Screw
KD0385	Screw
KD0387	Pin
KD0388	Washer
LB5169	O-Ring

FILL ASSEMBLY



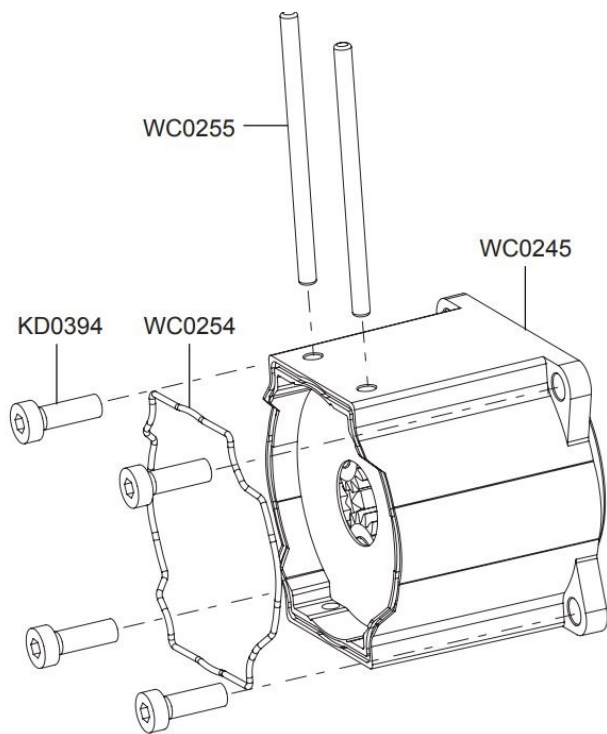
PART NO.	DESCRIPTION
CC0323	Air Filter
CC0324	Fill Cover

HANGER ASSEMBLY



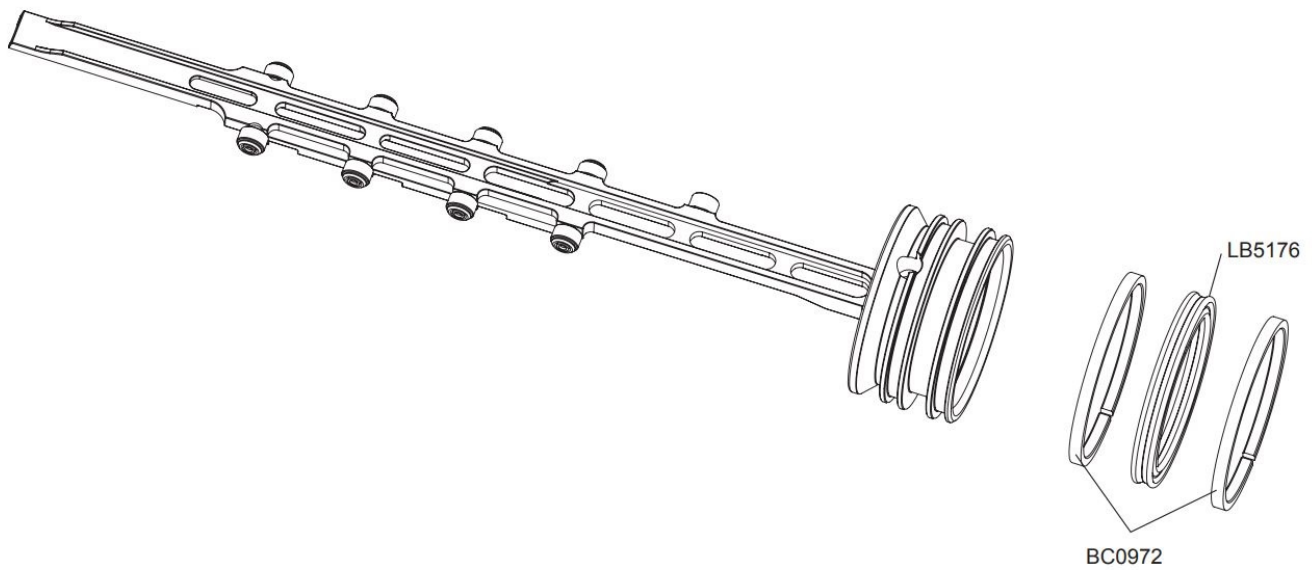
PART NO.	DESCRIPTION
AC0637	Hanger Hook
AC0640	Hook Ring
KD0362	Screw

GEARBOX ASSEMBLY



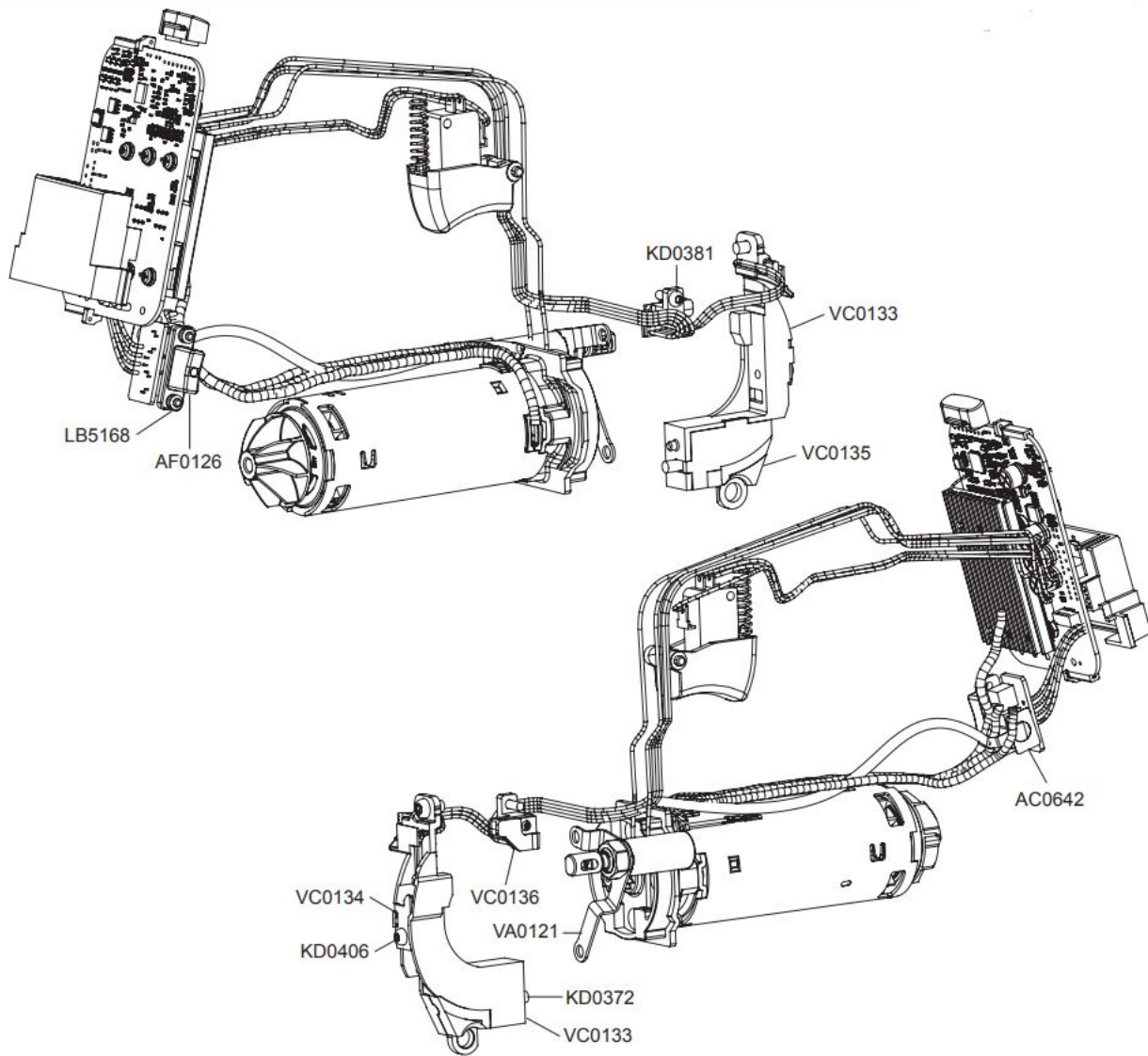
PART NO.	DESCRIPTION
KD0394	Screw
WC0245	Housing
WC0254	Seal
WC0255	Pin

PISTON AND DRIVER ASSEMBLY



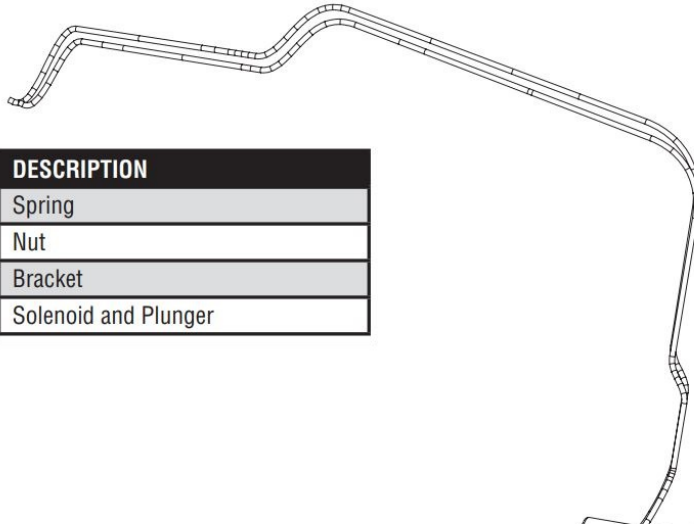
PART NO.	DESCRIPTION
BC0972	Bearing
LB5176	Seal

ELECTRICAL ASSEMBLY

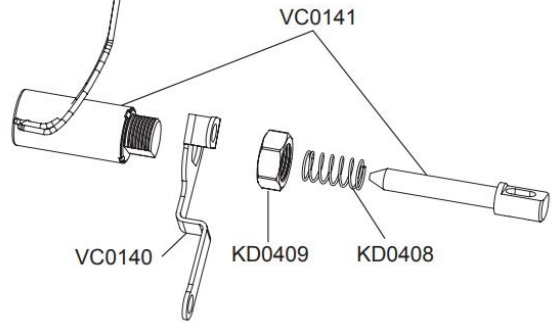


PART NO.	DESCRIPTION
AC0642	Retainer, Nut
AF0126	On-Off Toggle
KD0372	Screw
KD0381	Screw
KD0406	Screw
LB5168	O-Ring
VA0121	Solenoid Assembly
VC0133	Bracket
VC0134	Panel
VC0135	Bracket
VC0136	Bracket

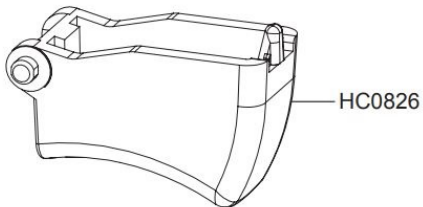
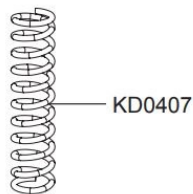
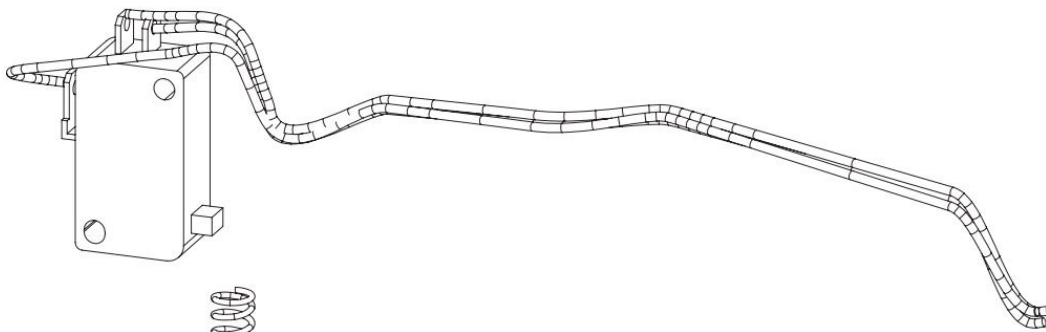
Solenoid Assembly



PART NO.	DESCRIPTION
KD0408	Spring
KD0409	Nut
VC0140	Bracket
VC0141	Solenoid and Plunger



TRIGGER ASSEMBLY



PART NO.	DESCRIPTION
KD0407	Spring
HC0826	Trigger

NOTES

Questions? Comments? call SENCO's toll-free Action-line: 1-800-543-4596 (North & South America only) or e-mail: toolprof@senco.com

KYOCERA SENCO Industrial Tools
 4270 Ivy Pointe Blvd.
 Cincinnati, OH 45245
 1-800-543-4596
www.senco.com



Documents / Resources

	<p>SENCO FUSION Cordless Framing Nailer F-35FRHXP [pdf] Instruction Manual FUSION, SENCO, Cordless, Framing, Nailer, F-35FRHXP</p>
--	--

References

- [S Home - SENCO](#)

[Manuals+](#)